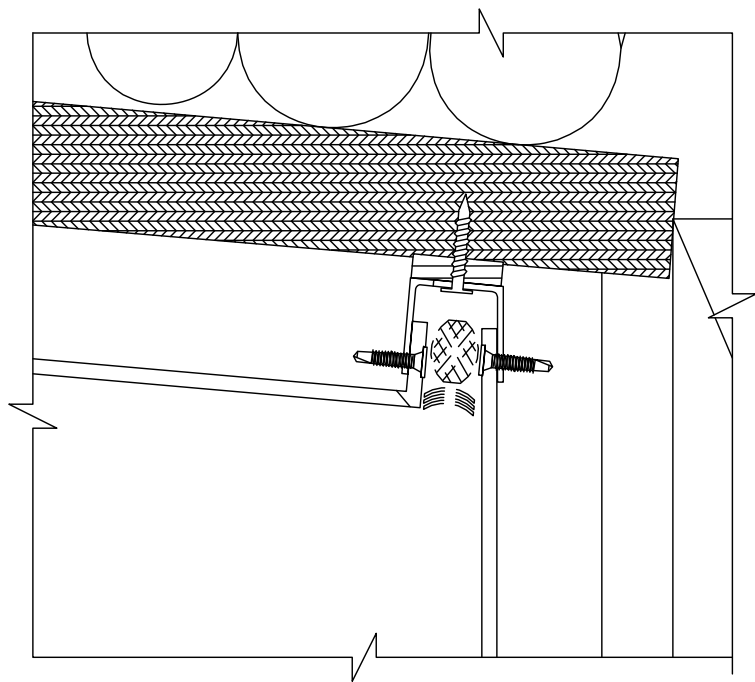




NOTE:
FIELD VERIFY ALL DIMENSIONS PRIOR TO
ORDERING MATERIALS. SOME OF THESE
DIMENSIONS WERE OBTAINED BY SCALING
AND ONLY REPRESENT AN APPROXIMATION
OF ACTUAL FIELD CONDITIONS.



INSIDE CORNER DETAIL

PROJECT NAME:

PROJECT

LOCATION:

ADDRESS

ARCHITECT:

ARCHITECT

DATE: XXXX/21

DRAWING STATUS: NOT FOR CONSTRUCTION

REV. DESCRIPTION: DATE:

PAGE DESCRIPTION:

ELEVATION

DRAWN BY:

F.V

SHEET:

Z-101

DWG No.:

1 OF 1

A L U S Y S T E M S

37302 COMMERCE LANE
PRAIRIEVILLE, LA, 70769
O. 225.772.1717 / F. 225.612.6942
WWW.ALUSYSTEMS.COM